

Installation / LED/Buzzer 150 Siren BWM 8 tne 12VDC



Part No.: 153.000.54



MECHANICAL DATA

Length	85 mm
Width	85 mm
Height	72 mm
Materials	PC PP-GF
Housing colour	Black
Protection category	IP66
Connection	Screw terminals
cross-sectional area maximum	1,50mm ² / 16AWG
Cable entry	Membrane grommet
Cable entry minimum	d = 1 mm
Cable entry maximum	d = 8 mm
Type of fixing	Base mounting Wall mounting
Working temperature minimum	-25°C
Working temperature maximum	+50°C
Weight with packaging	177 g
Product weight	147 g

ELECTRICAL DATA

Operating voltage	12V
Operating voltage type	DC
Operating voltage tolerance	+/- 10%
Rated operational voltage	12 VDC
Rated operational current	70 mA
Rated inrush current	1.250 mA
Protection class	Protection class 2
Pollution degree	3

ACOUSTIC DATA

Volume (max) at 1m distance	100,0 dB (A)
Number of tones	8 tone
Acoustic service life	5,000 h minimum

APPROVAL DATA

Conforms with CE	Yes
Conforms with RoHS directive	Yes
WEEE	Yes
Conforms with ATEX-directive	No
Conforms with CCC	No

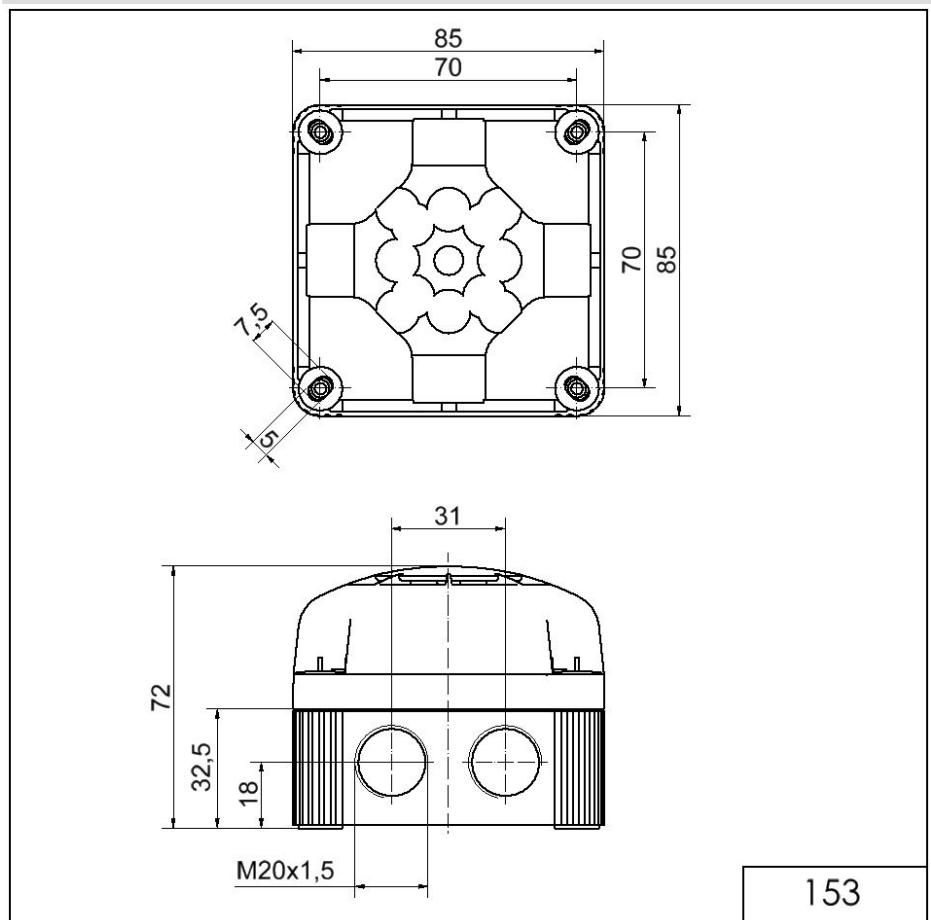


For additional installation and mounting information, refer to the appropriate user guide at www.werma.com. This printed copy is for information only and is subject to alteration.

Installation / LED/Buzzer 150
Siren BWM 8 tne 12VDC

Conforms with UL	No
Conforms with FCC	No
Conforms with IC	No
EAC certificate available	Yes
Conforms with UKCA (Importer)	Yes (WERMA (UK) Ltd.)
Conforms with AS-I	No
ICAO Certification	No
Conforms with DNV	No
Conforms with RoHS CN	No
Conforms with VdS	No

DRAWING



! For additional installation and mounting information, refer to the appropriate user guide at www.werma.com. This printed copy is for information only and is subject to alteration.