

## ZZ\_Electr. Buzzer EM Pulse tone 24VAC/DC



Part No.: 107.010.75

**MECHANICAL DATA**

Height	61 mm
Diameter	28 mm
Materials	PA-GF
Housing colour	Black
Protection category	IP65
Connection	Screw terminals
cross-sectional area maximum	1,50mm <sup>2</sup> / 16AWG
Type of fixing	Built-in mounting
Working temperature minimum	-20°C
Working temperature maximum	+50°C
Weight with packaging	30 g
Product weight	19 g

**ELECTRICAL DATA**

Operating voltage	24V
Operating voltage type	AC/DC
Operating voltage frequency	50Hz
Operating voltage tolerance	+/- 10%
Rated operational voltage	24 VDC
Rated operational current	8 mA
Rated inrush current	500 mA
Protection class	Protection class 2
Pollution degree	3
	In the connection area: 2

**ACOUSTIC DATA**

Volume (max) at 1m distance	60,0 dB (A)
Volume (max) at 10cm distance	80,0 dB (A)
Acoustic signal image	Pulse tone
Audio frequency	2400 Hz
Acoustic service life	5,000 h minimum

**APPROVAL DATA**

Conforms with CE	Yes
Conforms with RoHS directive	Yes
WEEE	Yes
Conforms with ATEX-directive	No
Conforms with CCC	No
Conforms with UL	cULus

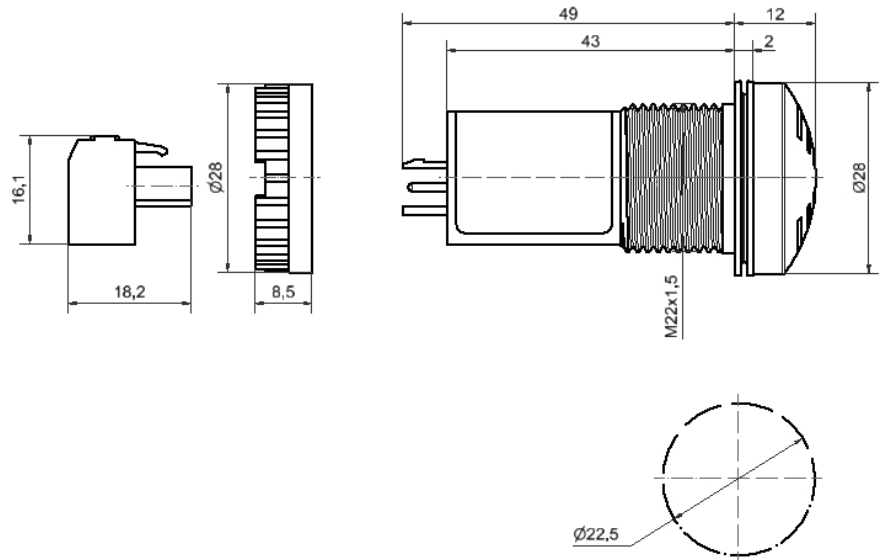


For additional installation and mounting information, refer to the appropriate user guide at [www.werma.com](http://www.werma.com). This printed copy is for information only and is subject to alteration.

## ZZ\_Electr. Buzzer EM Pulse tone 24VAC/DC

UL Type Rating	Type 4X
Conforms with FCC	No
Conforms with IC	No
EAC certificate available	Yes
Conforms with AS-I	No
ICAO Certification	No
Conforms with DNV	No
Conforms with RoHS CN	No
Conforms with VdS	No

### DRAWING



! For additional installation and mounting information, refer to the appropriate user guide at [www.werma.com](http://www.werma.com). This printed copy is for information only and is subject to alteration.