

Micro installation beacon / LED Beacon 231 Economy  
**LED Perm. Beacon Economy EM 24VDC GN**



Part No.: 231.204.55



**MECHANICAL DATA**

Height	152 mm
Diameter	29 mm
Materials	PC PC/ABS
Dome colour	Green
Housing colour	Black
Protection category	IP65
Connection	Cable
Cable length	105 mm
Type of fixing	Built-in mounting
Working temperature minimum	-20°C
Working temperature maximum	+50°C
Weight with packaging	20 g
Product weight	14 g

**ELECTRICAL DATA**

Operating voltage	24V
Operating voltage type	DC
Operating voltage tolerance	+/- 10%
Rated operational voltage	24 VDC
Rated operational current	30 mA
Rated inrush current	500 mA
Protection class	Protection class 2
Pollution degree	3 In the connection area: 2

**OPTICAL DATA**

Light source	LED
Light colour	Green
Optical signal image	Permanent
Service life optical	100,000 h maximum

**APPROVAL DATA**

Conforms with CE	yes
WEEE	yes
Conform with ATEX-directive	no
Conforms with CCC	no
Conforms with UL	cULus
UL Type Rating	Type 12
Conforms with FCC	no

! For additional installation and mounting information, refer to the appropriate user guide at [www.werma.com](http://www.werma.com). This printed copy is for information only and is subject to alteration.

Micro installation beacon / LED Beacon 231 Economy

## LED Perm. Beacon Economy EM 24VDC GN

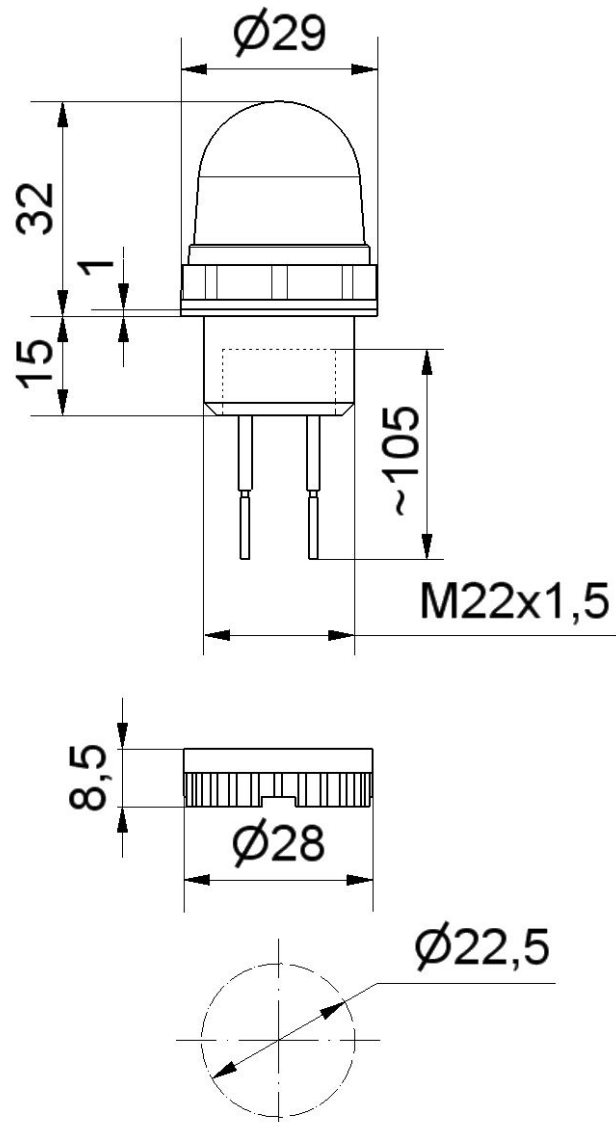
Conforms with IC	No
EAC Zertifikat vorhanden	yes
Conforms with AS-I	no
ICAO Certification	No
Conforms with GL	no
Conforms with RoHS CN	no
Conforms with VdS	no



For additional installation and mounting information, refer to the appropriate user guide at [www.werma.com](http://www.werma.com). This printed copy is for information only and is subject to alteration.

Micro installation beacon / LED Beacon 231 Economy  
**LED Perm. Beacon Economy EM 24VDC GN**

## DRAWING



For additional installation and mounting information, refer to the appropriate user guide at [www.werma.com](http://www.werma.com). This printed copy is for information only and is subject to alteration.