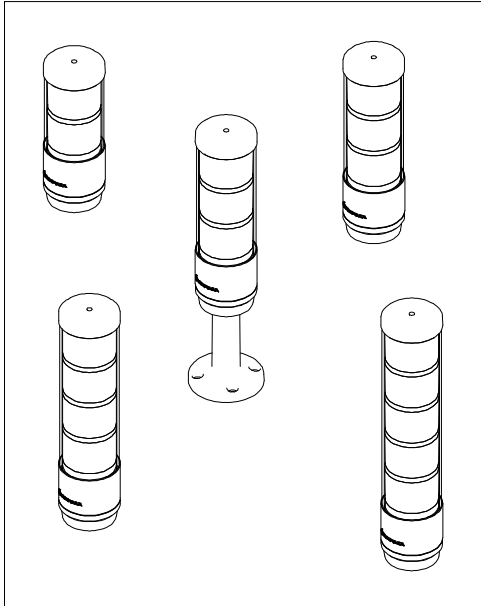
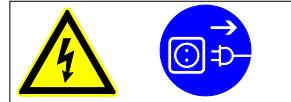


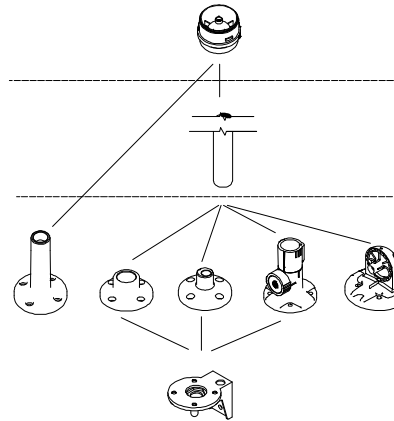
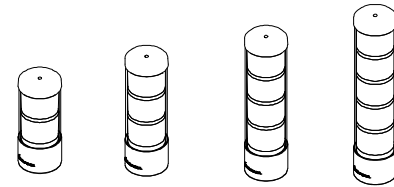
*-40°C : No buzzer version only



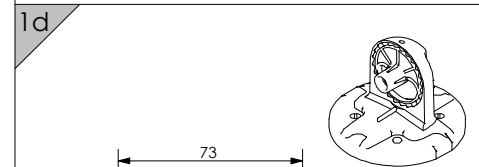
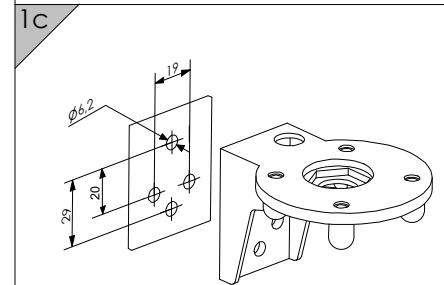
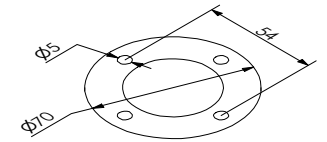
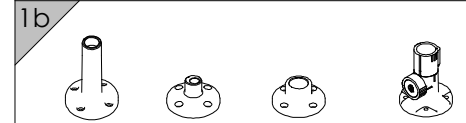
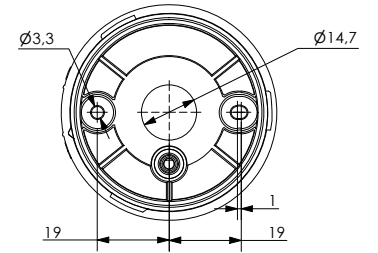
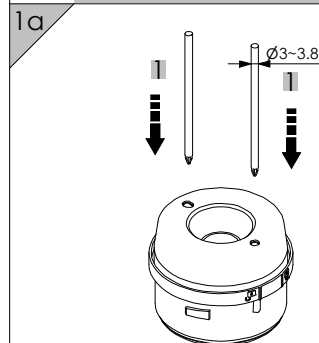
- Ⓓ Anschluss ausschließlich durch ausgebildete Elektro-Fachkräfte.
- Ⓒ Electrical connection is to be made by trained electrical specialists only .
- Ⓕ Le branchement doit uniquement être effectué par des professionnels.
- Ⓘ Il collegamento deve essere eseguito solo da elettricisti specializzati.
- Ⓔ La conexión sólo debe ser realizada por electricistas debidamente formados.
- Ⓟ A ligação deve ser feita exclusivamente por profissional elétrico especializado.
- Ⓝ De aansluiting mag enkel gebeuren door erkende vakmensen.
- Ⓒ Připojení smí provádět pouze kvalifikovaný personál.
- Ⓛ Podłączenie wyłącznie przez specjalistów-elektryków.
- Ⓕ Liittäminen kuuluu ainoastaan koulutettujen sähköalan ammattilaisten tehtäviin.
- Ⓔ Подключеніе проводітся только спеціалістом-електриком.
- Ⓓ Bağlantı sadece eğitimli elektrik teknisyenleri tarafından yapılmalıdır.
- Ⓒ 布线需由专业电工执行



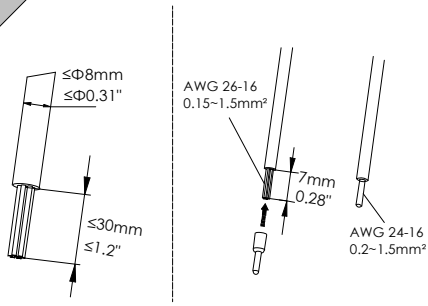
24V=		
	Sound	$I_{max} < 25mA$
	RD	$I_{max} < 25mA$
	GN	$I_{max} < 45mA$
	YE	$I_{max} < 55mA$
	CL	$I_{max} < 45mA$
	BU	$I_{max} < 45mA$



1
1a- 686.xx0.xx



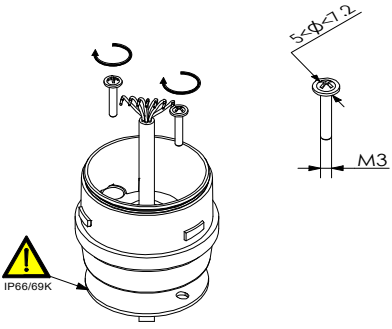
2



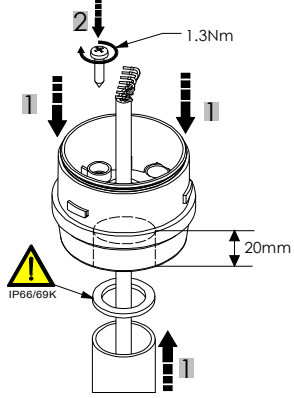
3

3a. 686.xx0.xx
3b. 686.xx1.xx, 686.xx2.xx

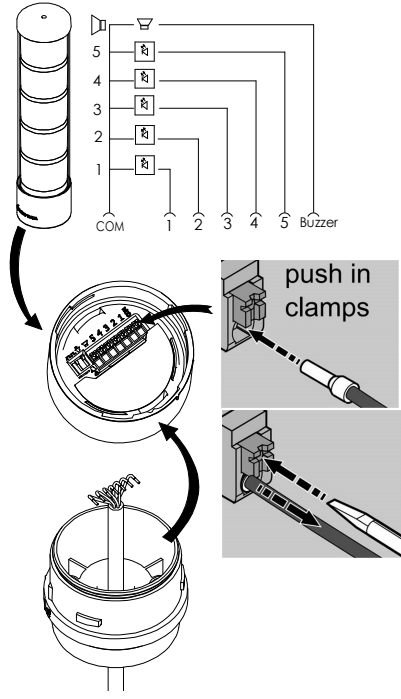
3a



3b



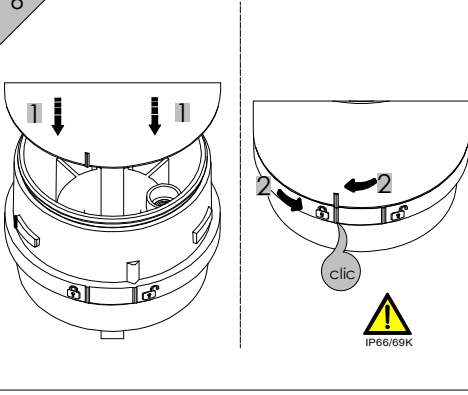
4



5

	Pulse tone	2.8 kHz / 1 Hz
	Continuous tone	2.8 kHz
	Loudness Low	80 ~ 82 dB
	Loudness High	88 ~ 90 dB

6



Marking of Hazardous Substances 有有害物质标识

WERMA Signaltechnik GmbH + Co. KG
Dürbheimer Straße 15
78604 Rielheim-Weilheim / Germany

WERMA article number 伟马信号标识号:
686.260.35, 686.370.35, 686.371.35, 686.480.35, 686.590.35
686.200.35, 686.300.35, 686.301.35, 686.400.35, 686.500.35

According to the SJ/T 11364-2014 Standard of the People's Republic of China for the Electronic Industry
本表格依据中华人民共和国 SJ/T 11364-2014 的规定编制

Component Name 部件名称	Lead 铅(Pb)	Mercury 汞(Hg)	Cadmium 镉(Cd)	Hexavalent Chromium 六价铬(Cr(VI))	Polybrominated biphenyls 多溴联苯(PBB)	Polybrominated diphenyl ethers 多溴二苯醚(PBDE)	Hazardous Substances 有害物质
Plastic parts 塑料件	0	0	0	0	0	0	
Label 标签	0	0	0	0	0	0	
PCB and its electronics 印制电路板及其电子元器件	X	0	0	0	0	0	
Buzzer 蜂鸣器	X	0	0	0	0	0	
Contact spring 接触弹片	0	0	0	0	0	0	

This table was developed according to the provisions of SJ/T 11364-2014

本表格依据 SJ/T 11364-2014 的规定编制

O: The content of such hazardous substance in all homogeneous materials of such component is **below** the limit required by GB/T 26572-2011
表示该有害物质在该部件所有均质材料中的含量均在 GB/T 26572-2011 规定的限量要求以下。
X: The content of such hazardous substance in all homogeneous materials of such component is **beyond** the limit required by GB/T 26572-2011.
表示该有害物质在该部件的某一均质材料中的含量超出 GB/T 26572-2011 规定的限量要求。

Enterprises may further explain the technical reasons for flicking "X" in the table above according to their actual situation herein.
企业可在此处, 根据实际情况对上表中打"X"的技术原因进行进一步说明。

*Exemptions according to EU RoHS 2011/65 Annex III and IV might be applied

*豁免 RoHS 2011/65 附件 III 和 IV 的豁免可能适用

■ Restricted substances beyond limit required by GB/T 26572-2011.

限制物质的含量超过 GB/T 26572-2011 限定限制

EFUP (Environment) Friendly (Use Period) 环保使用期限:



Marking of Hazardous Substances 有有害物质标识

WERMA Signaltechnik GmbH + Co. KG
Dürbheimer Straße 15
78604 Rielheim-Weilheim / Germany

WERMA article number 伟马信号标识号:
686.260.05, 686.370.05, 686.371.05, 686.480.05, 686.590.05
686.200.05, 686.300.05, 686.301.05, 686.400.05, 686.500.05

According to the SJ/T 11364-2014 Standard of the People's Republic of China for the Electronic Industry
本表格依据中华人民共和国 SJ/T 11364-2014 的规定编制

Component Name 部件名称	Lead 铅(Pb)	Mercury 汞(Hg)	Cadmium 镉(Cd)	Hexavalent Chromium 六价铬(Cr(VI))	Polybrominated biphenyls 多溴联苯(PBB)	Polybrominated diphenyl ethers 多溴二苯醚(PBDE)	Hazardous Substances 有害物质
Plastic parts 塑料件	0	0	0	0	0	0	
Label 标签	0	0	0	0	0	0	
PCB and its electronics 印制电路板及其电子元器件	X	0	0	0	0	0	
Buzzer 蜂鸣器	0	0	0	0	0	0	
Contact spring 接触弹片	0	0	0	0	0	0	

This table was developed according to the provisions of SJ/T 11364-2014

本表格依据 SJ/T 11364-2014 的规定编制

O: The content of such hazardous substance in all homogeneous materials of such component is **below** the limit required by GB/T 26572-2011.

表示该有害物质在该部件所有均质材料中的含量均在 GB/T 26572-2011 规定的限量要求以下。

X: The content of such hazardous substance in all homogeneous materials of such component is **beyond** the limit required by GB/T 26572-2011.

表示该有害物质在该部件的某一均质材料中的含量超出 GB/T 26572-2011 规定的限量要求。

Enterprises may further explain the technical reasons for flicking "X" in the table above according to their actual situation herein.
企业可在此处, 根据实际情况对上表中打"X"的技术原因进行进一步说明。

*Exemptions according to EU RoHS 2011/65 Annex III and IV might be applied

*豁免 RoHS 2011/65 附件 III 和 IV 的豁免可能适用

■ Restricted substances beyond limit required by GB/T 26572-2011.

限制物质的含量超过 GB/T 26572-2011 限定限制

EFUP (Environment) Friendly (Use Period) 环保使用期限:

